

Filter change instructions



BIBO Filter Pack

1 years' supply of filters
for your BIBO home
water dispenser

What is in the box?

2 x MAXI filters
which look like this:



1 x UV filter lamp
which looks like this:



Your MAXI filter needs replacing **every 6 months**. Your UV filter lamp needs replacing **every 12 months**.

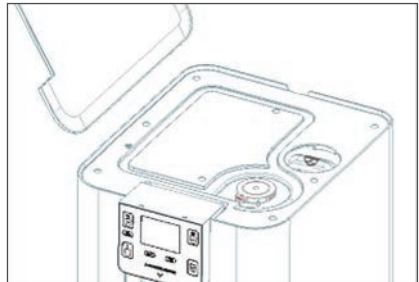
Filter change instructions

Replacing the MAXI filter

BIBO's MAXI filter should be replaced every 6 months. When the filter needs replacing, your BIBO's display will alert you as follows:



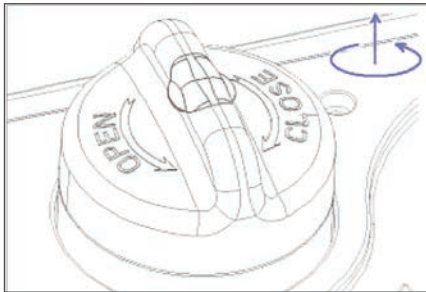
Remove the lid from the top of the BIBO by simply lifting it from the rear.



You will see the tops of two white filters on the right hand side. The MAXI filter is the one towards the back of your BIBO with a handle protruding from the top. Turn the handle anti-clockwise and pull the filter upwards and out.

Full instructions on how to change your filters are in your BIBO manual a copy of which may be downloaded from our website: www.bibo.com.au/customer-care

OPEN - Rotate anti-clockwise to remove the used filter. CLOSE - Rotate clockwise to install the new filter



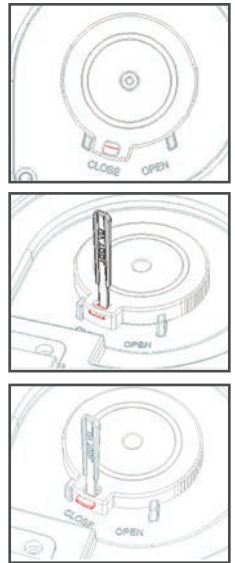
Remove the new MAXI filter from its packaging and insert it. Then turn clockwise to install. Once the filter has been replaced, go into your BIBO's menu, from the screen, select the 'Replacement' option, select 'Filter' and touch the  to confirm replacement. The counter will be reset to '180 Days Left'.

Replacing the UV filter lamp


The UV filter lamp should be replaced every 12 months. When it needs replacing, your BIBO's display will alert you as follows:

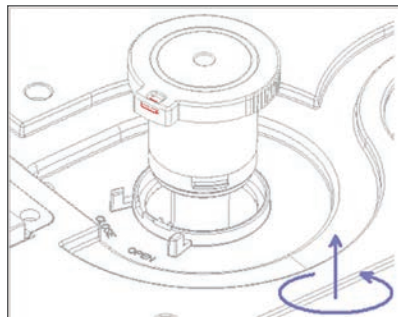


You will have been given a key in your filter pack to release the UV filter lamp. Put the key into the slot indicated to the right, release the latch to 'OPEN' (moving the key towards yourself if necessary), and whilst holding the key in position rotate the UV lamp anti-clockwise. Pull the UV lamp up and out of your BIBO.



Remove the UV lamp from its packaging and insert it carefully. Then rotate clockwise until it clicks and locks.

Once the filter lamp has been replaced, go into your BIBO's menu from the screen, select the 'Replacement' option, select 'UV' and touch the  to confirm replacement. The counter will be reset to '360 days left'.



For further help or guidance visit our website www.bibowater.com.au or call 1300 002 426

Full instructions on how to change your filters are in your BIBO manual a copy of which may be downloaded from our website: www.bibo.com.au/customer_care

This table will remind you when each of your filters needs replacing

Month 1	Month 2	Month 3	Month 4	Month 5	Month 6	Month 7	Month 8	Month 9	Month 10	Month 11	Month 12
BIBO installed					MAXI filter change						UV lamp & MAXI filter change

Your MAXI filter needs replacing every 6 months. Your UV filter lamp needs replacing once a year.

General Installation/Operation/Maintenance Requirements

- Flush new cartridge with 2 litres of water prior to use
- To maintain proper operation replace the cartridge every six months or as advised by your BIBO. Varying chlorine, sediment, or organic substance levels may affect replacement frequency.
- This filter is only designed and intended for use with your BIBO which must be installed according to local plumbing codes.
- Refer to the relevant sections of your BIBO manual for more specific product and warranty information and to avoid contamination from improper handling and installation.
- Performance of the filter will vary based on local water conditions.
- The substances reduced by this product are not necessarily in your water.

Safety information:

- This appliance contains a UVC emitter: Unintended use of the appliance or damage to the housing may result in the escape of dangerous UV radiation. UV radiation may, even in little doses, cause harm to the eyes and skin.
- If your BIBO is damaged, immediately unplug and do not use.
- When replacing the MAXI filter or UV filter lamp, only use genuine BIBO parts suitable for your BIBO.
- Read these instructions in full before opening the top cover of your BIBO to replace either filter.
- Disconnect your BIBO from the power supply before replacing the UV filter.
- **WARNING:** Do not operate the UV filter lamp when it is removed from the appliance enclosure.
- **CAUTION:** DO NOT USE WITH WATER THAT IS MICROBIOLOGICALLY UNSAFE OR WITH WATER OF UNKNOWN QUALITY WITHOUT ADEQUATE DISINFECTION BEFORE OR AFTER THE SYSTEM. SYSTEMS CERTIFIED FOR CYST REDUCTION MAY BE USED ON DISINFECTED WATER THAT MAY CONTAIN FILTERABLE CYSTS.

BIBO



Full instructions on how to change your filters are in your BIBO manual a copy of which may be downloaded from our website: www.bibo.com.au/customer-care